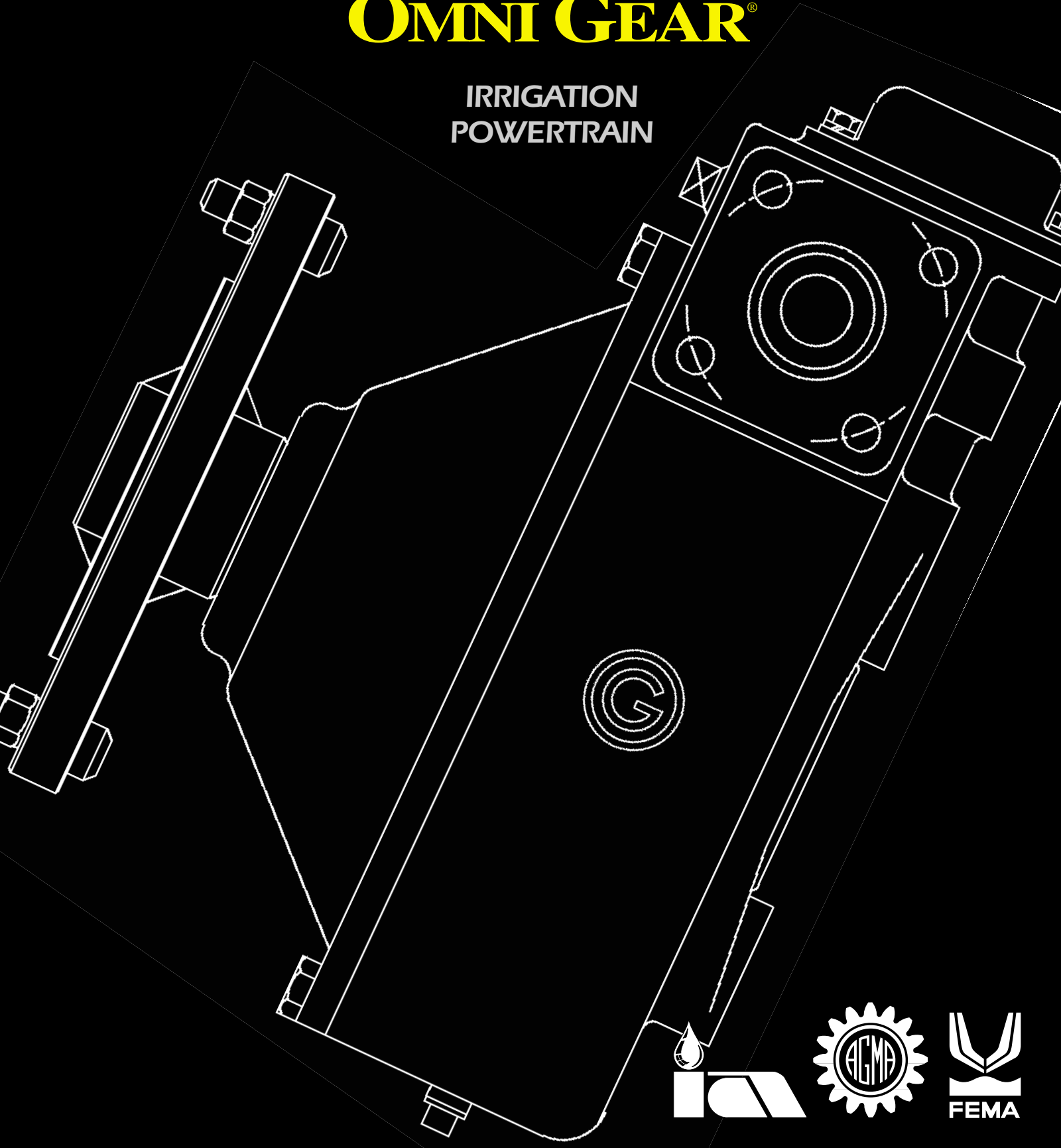




OMNI GEAR®

IRRIGATION
POWERTRAIN



Omni Builds The Best Wheel Drives in the Business!

External V-Ring Seals

Provide Additional Barrier against Debris and Corrosion

Input Shaft Seals

Triple Lip for maximum Protection

Thrust Bearings

On Input Shaft have Highest Load Rating

Input Caps

High Tensile Castings with Water Drainage System and Tapped Holes for Easy Installation of DPS-100 Drivetrain Protection System

Surface Finish

Worms are either Precision Ground to 32 Ra or Precision Finished to 125 Ra for Higher Efficiency Rating

Input Shaft Protector

Gold Zinc Dichromate plated for Maximum Corrosion Resistance

Worm Shafts

Made from either High Carbon Hardened Steel or Alloy Heat Treated and Ground Steel

Bull Gears

Made from either High Tensile Castings or are Centrifugally Cast Aluminum Bronze

Expansion Camber

Internal Bellows 12 cu.in. or Big Chamber™ 39 Cu.in. units available

Smooth Surface

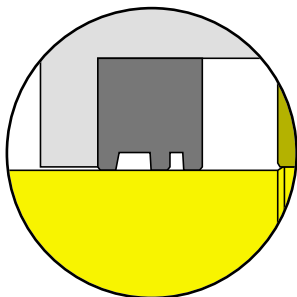
On Output Hub reduces Mud Build-Up

Large Face Width

High Contact, Large Pitch Gear Set gives Higher Torque Loads than Competition

Universal Bolt Pattern

Allows Usage on Virtually All Pivots



Mud & Debris Excluder

Labyrinth Design provides for Debris Exclusion and Internally Installed Oil Seal with Triple Lips Eliminate Debris from Penetrating Gear Case

Steel Output Shaft

Takes Highest Axial & Torsional Loads

Double Welded

Output Shaft & Flange enables usage of the largest Tires & Wheels

Custom Blended Lubricant

Continuously Coats Gears during Off-Season to Reduce Internal Corrosion and provide Long-Wear under Extreme Use Conditions

Internal Ribs

On Output Hub provide Overhung Load Strength

Retaining Ring

Locked In Place between Gear & Bearing can not push off Shaft under Highest Loads

Power: Different conditions for various applications may result in a higher or lower power capacity.
Oil Seals: Single, double and triple lip nitrile as well as Viton seals available.
Bearings: Geardrives available with various bearing life options.
Lubrication: Drives available with various lubes depending on operating characteristics.

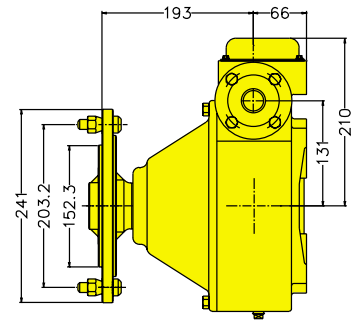
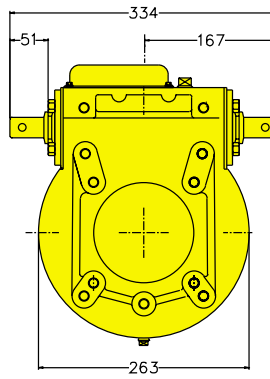
OFD-50 Series

Standard

Worm Gear Wheel Drives

Specifications

Torque Capacity: 70,000 lb.-in. (7,909 Nm.)
 Ratio: 50:1 (Others Available)
 Shaft Size: 2" 2.25" 2.5"
 (51 mm) (57 mm) (65 mm)
 Weight: 104 lbs. 108 lbs. 120 lbs.
 (47.2 kg) (49.0 kg) (54.4 kg)
 Oil Capacity: 133 fl.oz. 126 fl.oz. 104 fl.oz.
 (3.9 L) (3.7 L) (3.1 L)
 Expansion Chamber: Bellows Type
 • Multiple Mount Pattern Fits Most Pivots.

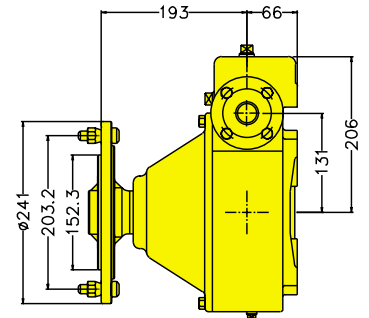
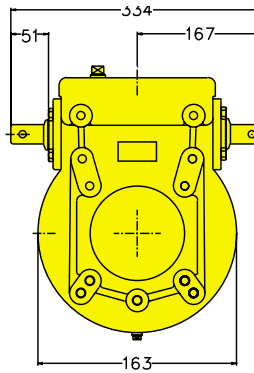


OFD-50D Series

Big Chamber™

Specifications

Torque Capacity: 70,000 lb.-in. (7,909 Nm)
 Ratio: 50:1 (Others Available)
 Shaft Size: 2.25" (57 mm)
 Weight: 110 lbs. (49.0 kg)
 Oil Capacity: 126 fl.oz. (3.7 L)
 Expansion Chamber: Big Chamber™
 • DPS-100 Gearbox Guard mounts easily.
 • 39 Cubic Inch Expansion Area
 • Oil Level Plug Eliminates Over-Filling
 • Replaces Durst® and Zimmatic® Drives

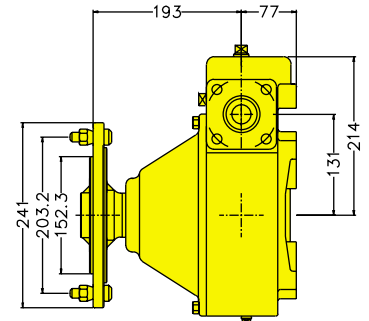
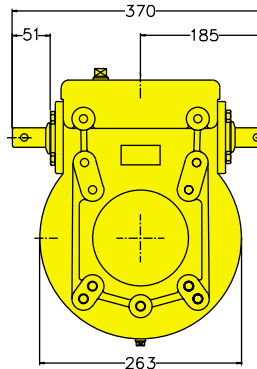


OFD-50EHT Series

Extra Heavy

Specifications

Torque Capacity: 80,000 lb.-in. (9,040 Nm)
 Ratio: 50:1 (Others Available)
 Shaft Size: 2.25" (57 mm)
 Weight: 120 lbs. (54.4 kg)
 Oil Capacity: 134 fl.oz. (3.9 L)
 Expansion Chamber: Big Chamber™
 • High Capacity Thrust Bearings on Worm.
 • 2" Face Width, High Contact Bull Gear.
 • Precision Finished Worm to 125 Ra.
 • 5.1" (131 mm) Gear Center Distance.

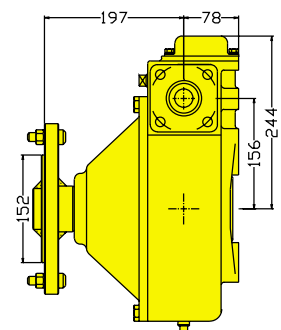
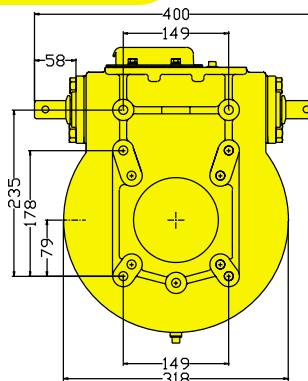


OFD-50HD Series

Heavy Duty

Specifications

Torque Capacity: 90,000 lb.-in. (10,170 Nm)
 Ratio: 50:1 (Others Available)
 Shaft Size: 2.5" (65 mm)
 Weight: 164 lbs. (74.4 kg)
 Oil Capacity: 215 fl.oz. (6.3 L)
 Expansion Chamber: Bellows Type
 • 6.1" (156 mm) Gear Center Distance.
 • Highest Torque Wheel Drive Available.
 • Ideal for Hose Drag Linear Carts.
 • High Capacity Thrust Bearings on Worm.



Power: Different conditions for various applications may result in a higher or lower power capacity.
Oil Seals: Single, double and triple lip nitrile as well as Viton seals available.
Bearings: Gear drives available with various bearing life options.
Lubrication: Drives available with various lubes depending on operating characteristics.

OFD-50AB Series

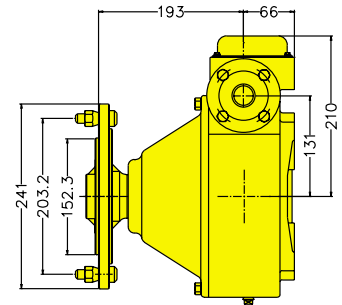
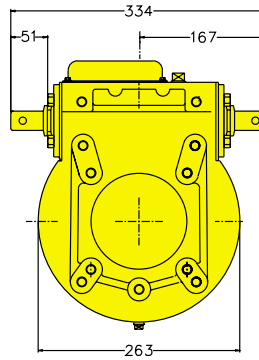
High Speed
Aluminum Bronze

Worm Gear Wheel Drives

Specifications

Torque Capacity: 70,000 lb.-in. (7,909 Nm)
Ratio: 50:1 (Others Available)
Shaft Size: 2.25" (57 mm)
Weight: 108 lbs. (49.0 kg)
Oil Capacity: 126 fl.oz. (3.7 L)

- Precision Ground Worm to 32 Ra. Finish.
- External Expansion or Big Chamber™ Housing.
- Extends Drivetrain Life on High Speed Systems.
- Centrifugally Cast Bull Gear Eliminates Impurities.

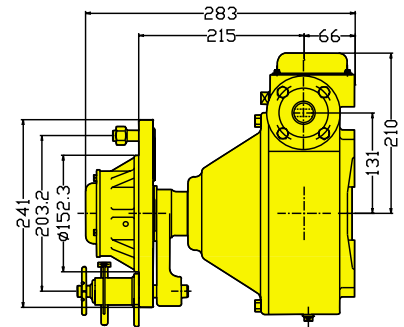
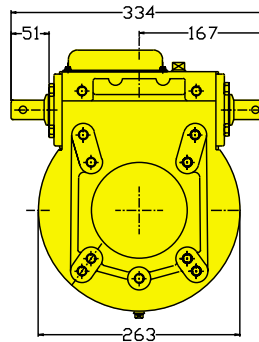


OFD-50T Series True-Tow Towable

Specifications

Torque Capacity: 70,000 lb.-in. (7,909 Nm)
Ratio: 50:1 (Others Available)
Shaft Size: 2.25" (57 mm)
Weight: 130 lbs. (58.9 kg)
Oil Capacity: 126 fl.oz. (3.7 L)

- External Expansion or Big Chamber™ Housing.
- True Towable Design Eliminates Add-on Kits.
- Relief Plug Protects from Over-Greasing.
- Adjustable Bearing Lock Nut Eliminates Shims.
- Cross Drilled Pin easily Stows while Towing.

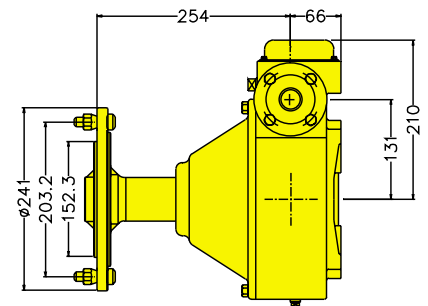
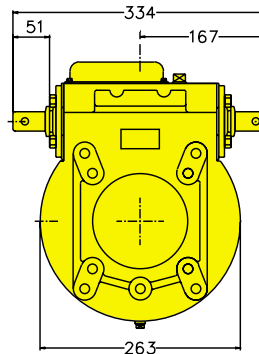


OFD-52V Series Valley® Type

Specifications

Torque Capacity: 70,000 lb.-in. (7,909 Nm)
Ratio: 52:1 (Others Available)
Shaft Size: 2.25" (57 mm)
Weight: 112 lbs. (50.8 kg)
Oil Capacity: 126 fl.oz. (3.7 L)
Expansion Chamber: Bellows Type

- 12 Cubic Inch Expansion Area.
- Replaces Valley® Drives.
- Dual Inputs for Left or Right Mounting.
- Class A Hobbed and Hardened Steel Worm.

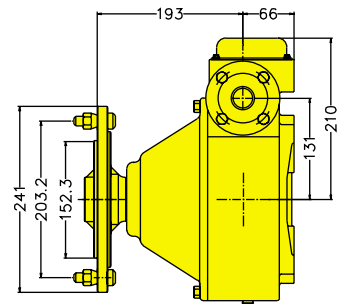
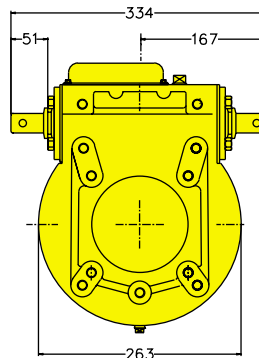


OFD-50GW Series Extended Life Ground Worm

Specifications

Torque Capacity: 70,000 lb.-in. (7,909 Nm)
Ratio: 50:1 (Others Available)
Shaft Size: 2.25" (57 mm)
Weight: 108 lbs. (49.0 kg)
Oil Capacity: 126 fl.oz. (3.7 L)
Expansion Chamber: Bellows Type

- Precision Ground Worm to 32 Ra. Finish.
- Ideal for Extending Drive Train Life.
- DPS-100 Gearbox Guard Mounts Easily.
- Multiple Mount Pattern Fits Most Pivots.



Power: Different conditions for various applications may result in a higher or lower power capacity.

Oil Seals: Single, double and triple lip nitrile as well as Viton seals available.

Bearings: Geardrives available with various bearing life options.

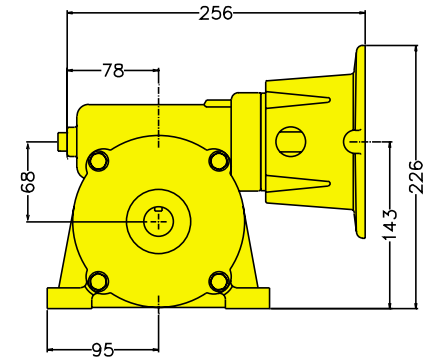
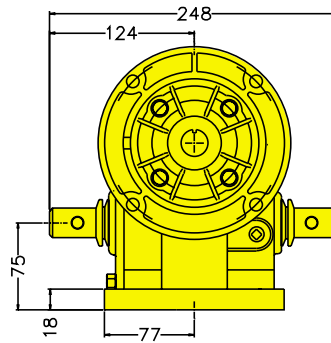
Lubrication: Drives available with various lubes depending on operating characteristics.

IR-15 Series

Specifications

Torque Capacity: 4,500 lb.-in. (133 Nm.)
 Ratio: 50:1 and 30:1 (Others Available)
 Shaft Size: 1.0" (25.4 mm)
 Weight: 16 lbs. (7.3 kg)
 Oil Capacity: 11 fl.oz. (1.2 L)
 Motor Mount: NEMA 56C

- Multi Mount Bolt Pattern fits All Pivots.
- Heavy Duty Unit for Severe Conditions.
- Lovejoy® Type Jaw Coupler included.
- Low Distortion Nitrited Worm Shaft
- 2.7" (68 mm) Gear Distance

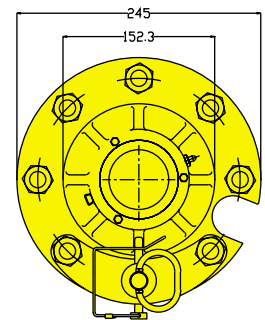
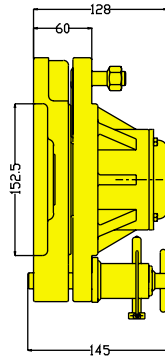


Worm Gear Center Drives

CK-50 Series

Specifications

- Converts Standard Drive to Towable Drive.
- Adjustable Bearing Locknut eliminates Shims.
- Cross Drilled Pin easily stows while Towing.
- Unique Triple Lip Spindle Seal Design.
- High Carbon Steel Tow Pin and Bracket will not Bend Under Load.
- Relief Plug protects from Over Greasing.
- Large Bearings for Improved Load Capacity.
- Easy Repairability with Bolt-on Dust Cover.

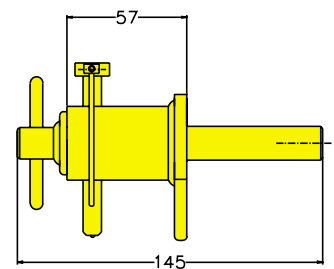
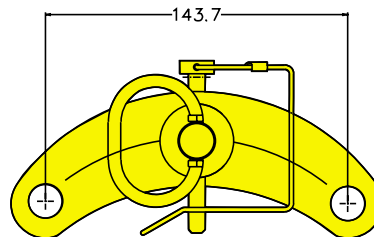


Towable Conversion Kits

PB-50 Series

Specifications

- Cross Drilled Pin easily stows while Towing.
- High Carbon Steel Tow Pin and Bracket will not Bend Under Load.
- PTO Clip-Pin with Tab is easy to remove.
- Usable on all Towable Gearboxes and Conversion Kits.
- Anti-Corrosion Zinc Plated Pin.



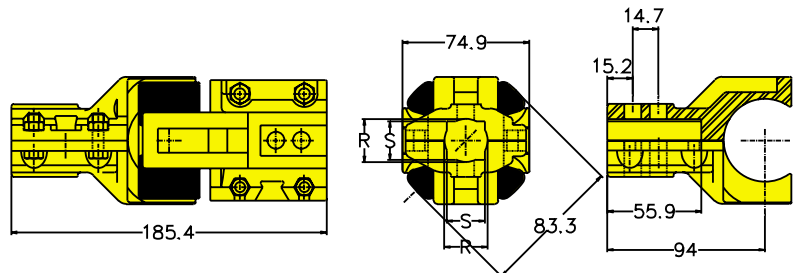
Pin & Bracket Assemblies

HTC Series

Specifications

Square: $\frac{3}{4}$ ", $\frac{7}{8}$ ", 1"
 Round: $\frac{7}{8}$ ", 1", 1" w/ $\frac{1}{4}$ " Keyway

- High Strength Die Cast Coupler Jaws.
- Bead Blasted for Higher Torque & Strength.
- Dissipates Shock Loads to Other Components.
- Design provides Automatic Re-alignment.
- All Hardware included for Quick Installation.
- Fertilizer, Weather and UV Resistant.
- Complete Coupler Individually Poly Bagged.



Drive Line Couplers

Power: Different conditions for various applications may result in a higher or lower power capacity.

Oil Seals: Single, double and triple lip nitrile as well as Viton seals available.

Bearings: Geardrives available with various bearing life options.

Lubrication: Drives available with various lubes depending on operating characteristics.

Omni Gear sets the New World Standard!

Carburized Rotor Shaft

Rotor Shaft is Carburized & Ground minimizing Distortion and Noise while Maximizing Life.

Internal Motor Cooling Fins

For Rapid Heat Dissipation

Low Amp Draw Balanced Motor

Extra Copper and Laminated Material require less Power Consumption

High Purity Copper & Insulation System

Makes Motor Run Cool Extending Motor Life

2-Stage Shaved Helical Gearing

Provides the most Efficient, Silent, and Largest Torque Drive in the Industry

Sealed Large Dia. Ball Bearing

Keeps Rotor Shaft Firmly Meshed with Intermediate Gear

Sealant Filled Joints

Eliminate Moisture Penetration.

Low Speed Gear

Massive Gear Provides Largest Torque Capacity in the Industry. Industrial Design allows use of up to 2.5 Hp Motors for Tough Applications

Corrosion Resistant Bolts

Have Anti-Seize on Threads to allow for Independent Removal of Stator

Double Oil Seals

Keeps Debris and Crop Wrappage from causing Oil Leaks

Pre-Drilled Holes

Provide for Easy Installation of the DPS-100 Shaft Protection System

Conduit Box

Sealed Against Moisture while Allowing Drainage

Extra Thick Casting

Strongest Gear Casing in the Industry keeps Gears from Separating Under Load

Motor Housing

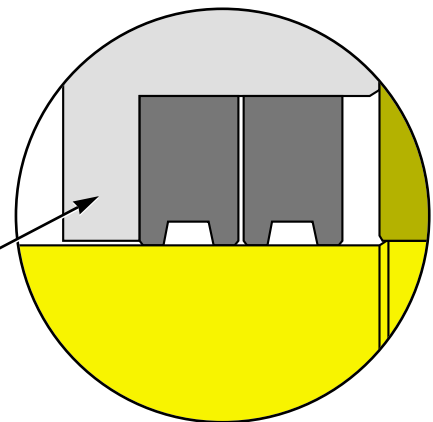
Made of Rolled Steel w/ Drain Holes and Two-Part Painted Prevents Moisture Build-Up and Oxidation

Gear Case

Made from Heat Treated Aluminum Alloy and CNC Precision Machined Provides Maximum Rigidity under torque

Mud & Debris Excluder

Labyrinth Design provides for Debris Exclusion and Internally Installed Dual Oil Seals with Double Lips Eliminate Debris from Penetrating Gear Case

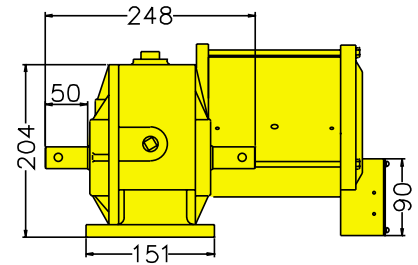
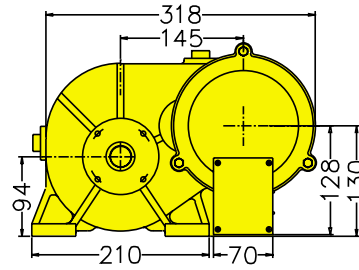


Irri-Torq™ Series

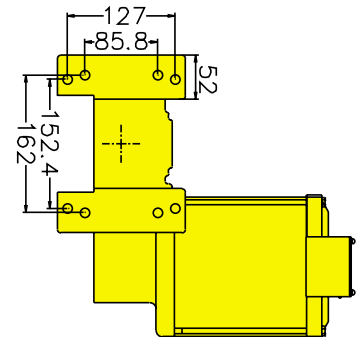
Helical Gear Center Drives

Specifications

- Highest torque center drive available.
- Carburized gears for higher strength.
- 2 stage efficient helical gear reduction.
- Large low speed gear for higher torque.
- TI® Klixon® thermal protector.
- CSA & CE approved motor.
- Universal Mounting Pattern



Speed Range:	Low	Medium	Medium-High	High
Gearbox Output Shaft Speed				
460 Volts AC:	28 rpm	43 rpm	56 rpm	86 rpm
380 Volts AC:	23 rpm	35 rpm	47 rpm	72 rpm
Gearbox Ratio:	40:1	40:1	30:1	40:1
Motor Horsepower:	.5 HP	.75 HP	1.0 HP	1.5 HP
Poles in Motor:	6	4	4	2
Motor RPM				
460 Volts AC:	1,150 rpm	1,725 rpm	1,725 rpm	3,490 rpm
380 Volts AC:	930 rpm	1,425 rpm	1,425 rpm	2,850 rpm
Service Factor:	1.0	1.0	1.0	1.0
Oil Capacity:	56 fl.oz.	56 fl.oz.	56 fl.oz.	56 fl.oz.
	1.6 L	1.6 L	1.6 L	1.6 L
Weight:	64 lbs.	63 lbs.	64 lbs.	65 lbs.
	29 kg	28.5 kg	29 kg	29.5 kg

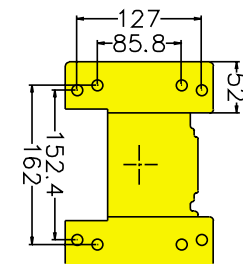
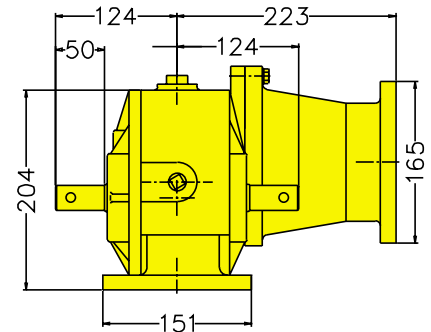
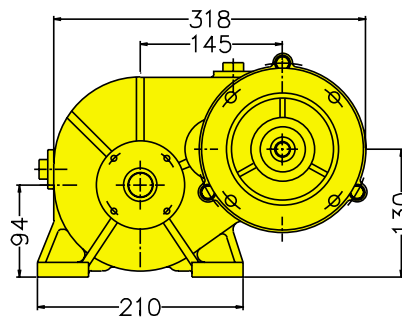


Irri-Torq™ Series NEMA Center Drive

Specifications

- NEMA 56 Frame Mount allows usage of Wide Variety of Motors
- 30:1 and 40:1 are Standard Ratios.
- Highest torque center drive available.
- Carburized gears for higher strength.
- 2 stage efficient helical gear reduction.
- Other Ratios Available upon Request.
- Multi-mount bolt pattern fits all pivots.
- DPS-100 Gearbox Guard mounts easily.

Gearbox Ratio:	30:1	40:1
Oil Capacity:	56 fl.oz.	56 fl.oz.
	1.6 L	1.6 L
Weight:	35 lbs.	35 lbs.
	15.9 kg	15.9 kg
Torque Capacity:	8,700 lb.-in.	10,000 lb.-in.
	983 Nm	1,130 Nm



Power: Different conditions for various applications may result in a higher or lower power capacity.
Oil Seals: Single, double and triple lip nitrile as well as Viton seals available.
Bearings: Geardrives available with various bearing life options.
Lubrication: Drives available with various lubes depending on operating characteristics.

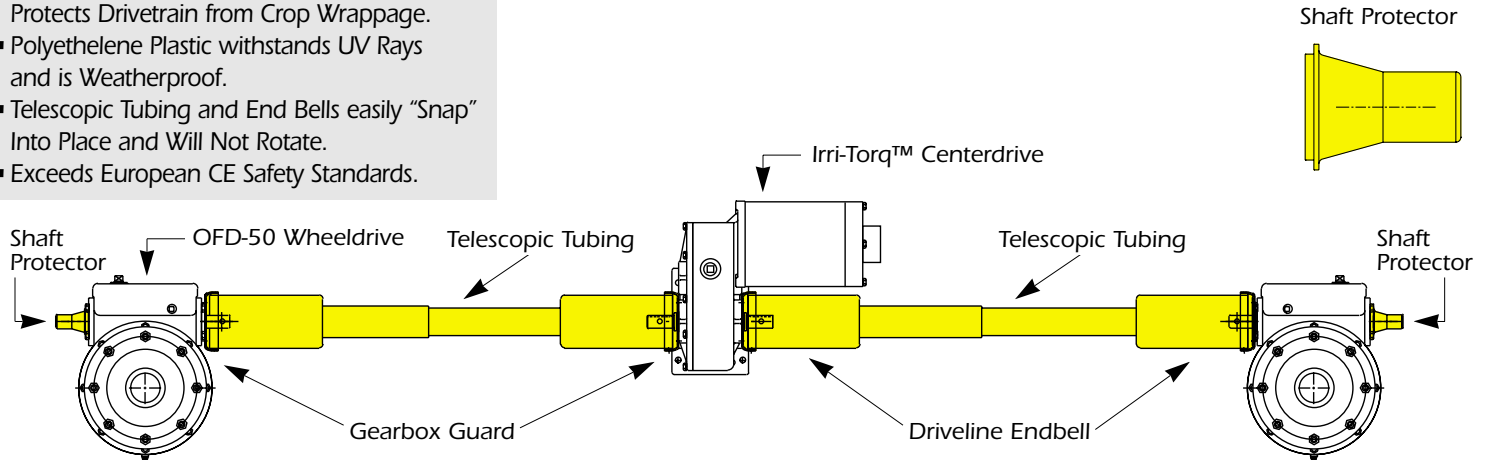
DPS-100

Driveline Shields

Specifications

- The Only System Available that Completely Protects Drivetrain from Crop Wrappage.
- Polyethelene Plastic withstands UV Rays and is Weatherproof.
- Telescopic Tubing and End Bells easily "Snap" Into Place and Will Not Rotate.
- Exceeds European CE Safety Standards.

Patent Pending

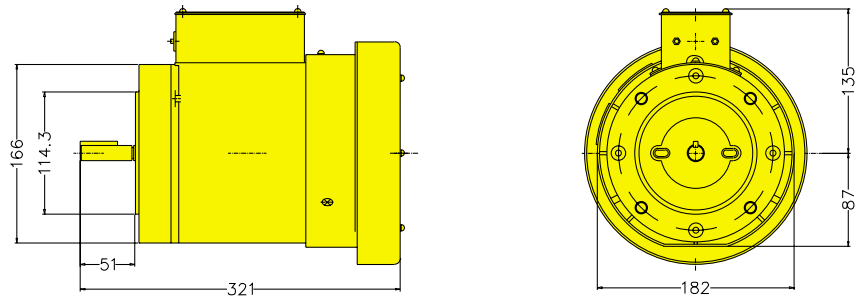


IM Series

Electric Motors

Specifications

- NEMA 56C face motor mount.
- 360/480 volts AC 50/60 Hz multiphase.
- 1.5 True rated horsepower.
- CSA and CE approved.
- Removable Drain Plugs for either Vertical or Horizontal Mounting.
- TI® Klixon® thermal protector.
- Fan Cooled w/Steel Fan Guard & Drip Cover.
- Motor by Leeson® Electric.



Warranty

Omni Gears' Enclosed Gear Drives are warranted to be free of defects in material or workmanship and to meet Omni Gears specifications at the time of sale. For a copy of our warranty please contact Omni Gear.

Product Information

The data presented in this catalog is for general information and preliminary layout purposes only. Omni Gear, through its policy of continuous improvement reserves the right to change specifications without notice. For specific application and dimensional information, please contact Omni Gear.

The different conditions for various applications may result in higher or lower power capacity. For these reasons, the ratings contained herein cannot be guaranteed for any application. Prototype testing should be conducted for each application before production.



7502 Mesa Road □ Houston, Texas 77028

Phone: 713-635-6331 □ Fax: 713-635-6360

E-mail: Sales@OmniGear.com □ Web: www.OmniGear.com

Copyright © 1999 ▪ Omni Gear, division of Omni USA, Inc.